

DATA SHEET

NETWORK POWERING

FRPD-V2 Line Power Supply Non Standby



**3 Year
Warranty**

FEATURES

- RCM and AS/NZS 61000.3.2:2013 Compliance
- -40 to 75 °C operating temperature
- Noise dampening design
- Class 180 (Class H) / Double Insulation Class II
- 3 models
 - 48.5/60 AC output voltage, 15A
 - 48.5 VC, AC, 7A, 50Hz
 - 90 AC output voltage, 10A 50/60Hz
- Pole, Wall and Pedestal Mounting

Overview

The Ferro Resonant Powering Device (FRPD) is a linear power supply (LPS) with no active electrical components inside and consists of a ferro-resonant transformer, an AC capacitor and an LED indicator.

It is rated to IP33 and enclosed in a chromate protected, powder coated, aluminium housing. The FRPD-V2 can be pole, wall or pedestal mounted and is designed to provide maximum component cooling to address abnormally high thermal environments. It contains vibration absorbing materials to minimise noise and is constructed to the AS/NZS 60950.1:2011 double insulation Class II isolation and Class 180 (Class H) temperature, while meeting all the safety and EMC requirements of the Australian RCM including the harmonic emissions of AS/NZS 61000-3-2: 2013.

Acoustic noise is minimised through the use of high temperature vibration absorbing materials.

Australia Office

2 Anzed Court
Mulgrave VIC 3170
Australia
T. +61 3 8542 0600
F. +61 3 8542 0629
E. sales@c-cor.com.au
www.c-cor.com.au

Regional Representation

Pakistan / Korea
E: sales@c-cor.com.au

General Specifications

Criteria	Specification
Corrosion Protection	Designed in accordance to ASTM 117B and AS2331.3.3
Colour	APO Grey
Warranty	3 Years
Noise Rating (dBA)	≤50 @ one meter under conditions of nominal line and full load
Ingress Protection	IP33
Security	Conforms to AS/NZS 60950.1:2011
Mounting	Wall, aerial and pedestal mounting, with options for side and bottom cable access
Nominal Rating	240 ±10%VAC (216 - 264 VAC) RMS
Nominal Input Power Factor	0.89
Output Power Factor Tolerance	0.8 to 1.0
Output Waveform	Quasi Square Wave
Output Protection	Inherently short circuit proof with passive automatic reset
Surge Protection	Category B3, ANSI/IEEE C62.41.1-2002
Insulation Class	AS/NZS 60950.1:2011 double insulation Class II
Component Temperature Limits	AS/NZS 60950.1:2011 Class 180 (Class H)
Rated Operating Environment	-40 to 60°C free air at full load; -40 to 75°C in pedestal at full load. Relative humidity: 0 to 95% non-condensing

© C-COR Broadband 2017.
Issued February 2017.

Due to ongoing product development, technical specifications are subject to change without notice.

Australia Office

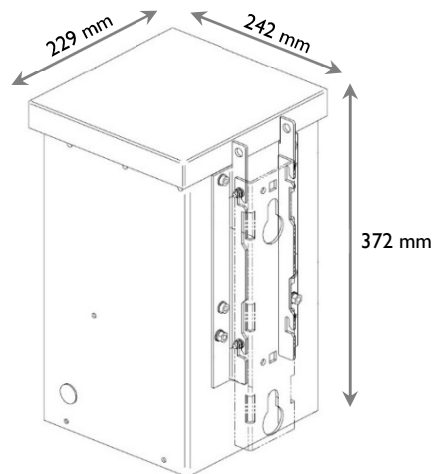
2 Anzed Court
Mulgrave VIC 3170
Australia
T. +61 3 8542 0600
F. +61 3 8542 0629
E. sales@c-cor.com.au
www.c-cor.com.au

Regional Representation

Pakistan / Korea
E: sales@c-cor.com.au

Mechanical

Criteria			Unit of Measure
Dimensions (H x W x D)	372 x 229 x 242 (255 including a mounting bracket)		mm
Weight	FRPD-V2	18	kg
	FRPD-7A	12.5	kg
	FRPD-V2-90	18	kg



Individual Electrical Specifications

Item	FRPD-V2	FRPD-7A	FRPD-V2-90
Nominal Input Power at Full Load (VA)	≈ 880 @ 48.5 VAC ≈ 1100 @ 60 VAC	≈ 370	≈ 1100
Worst Case Input Power (VA) (Output Short Circuit Conditions)	≈ 1500	≈ 680	≈ 1300
Nominal Input Power Factor (VAC)	0.91 @ 48.5 0.89 @ 60	0.90	0.89
Operating Frequency & Tolerance (Hz)	50 ±1%	50 ±1%	50/60 ±1%
Rated Full Load (A RMS)	15	7	10
Rated Output Voltage (VAC TRMS)	48.5 ±3% 60.0 ±5%	48.5 ±3%	90.0 ±3%

© C-COR Broadband 2017.
Issued February 2017.

Due to ongoing product development, technical specifications are subject to change without notice.



DATA SHEET

NETWORK POWERING

Australia Office

2 Anzed Court
Mulgrave VIC 3170
Australia
T. +61 3 8542 0600
F. +61 3 8542 0629
E. sales@c-cor.com.au
www.c-cor.com.au

Regional Representation

Pakistan / Korea
E: sales@c-cor.com.au

Regulatory Compliance / Certification

Agency	Classification
AS/NZS 61000.3.2:2013	Electromagnetic compatibility (EMC) - Limits - Limits for harmonic current emissions (equipment input current \leq 16A per phase).
AS/NZS CISPR 22:2009 / Amdt 1:2010	Information technology equipment - Radio disturbance characteristics - Limits and methods of measurement.
AS/NZS PR32:2013	Electromagnetic compatibility of multimedia equipment Emission requirements
AS/NZS 60950.1:2011 / Amdt 1:2012	Information technology equipment - Safety - General requirements (IEC 60950-1, Ed.2.0 (2005), MOD).
ISO 9001:2008	Manufactured and/or distributed under this quality management system. Australian Made and Designed.
RCM Compliant	Electrical Equipment Safety System (EESS), Level 1 electrical equipment (low risk).

Ordering Information

C-COR Part Number:

FRPDV2.P for 48.5/60VAC, 15A, 50Hz version

FRPDV2.P90.50 for 90VAC, 10A, 50Hz version

FRPDV2.P90.60 for 90VAC, 10A, 60Hz version

Telstra Serial Item Number: 737/00670 for FRPDV2.P

Stocking Status: 6 to 8 weeks leadtime

MOQ: 100 Units

© 2017 C-COR Broadband
Issued February 2017.

Due to ongoing product development, technical specifications are subject to change without notice.